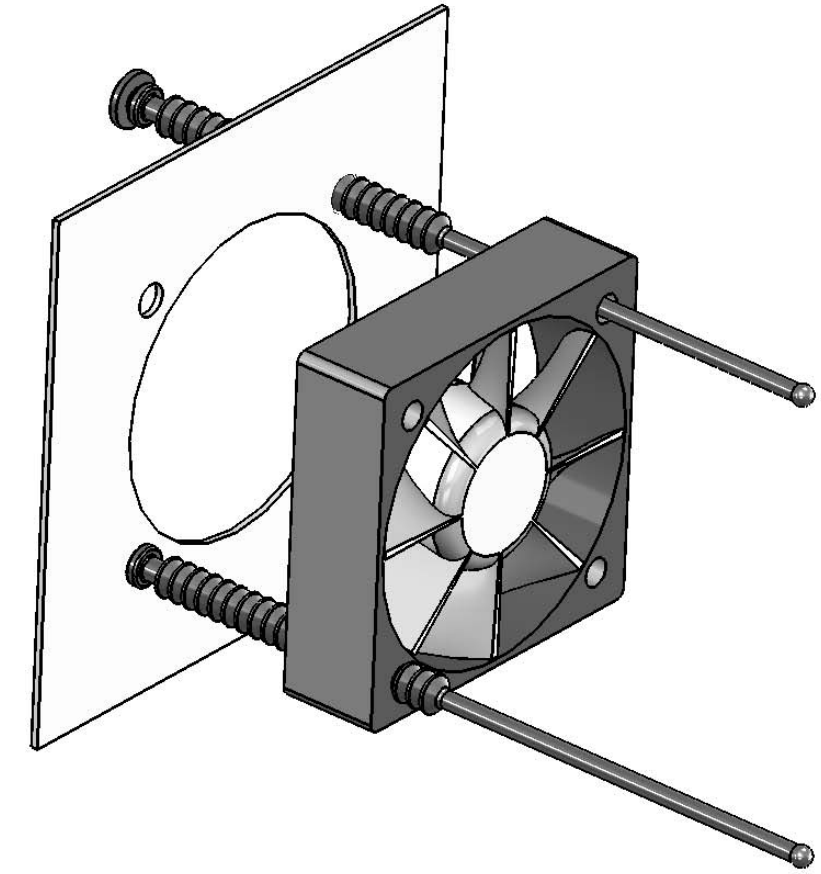
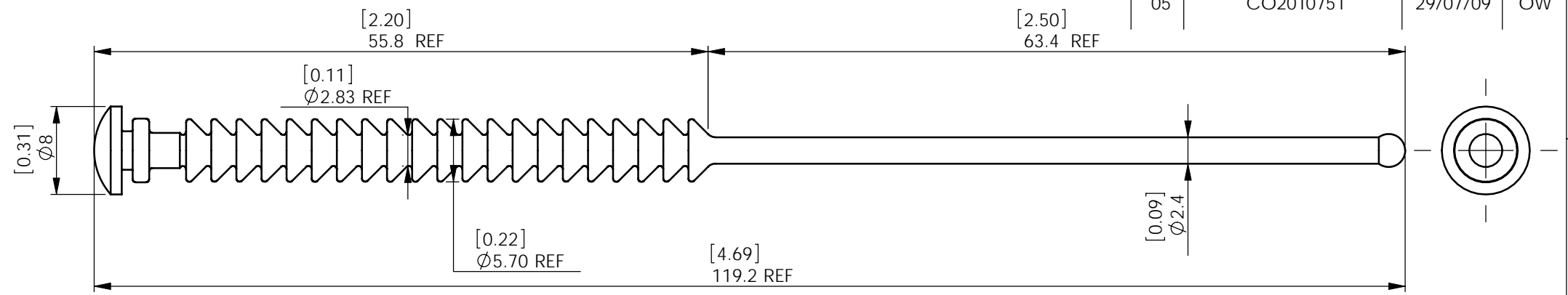


REV.	MODIFICATION.	DATE	DRN
01	PRODUCTION RELEASE	08/08/06	TC
02	ECN 2006-258	06/12/06	TC
03	CO2010317	11/08/08	SF
04	CO2010432	09/10/08	SF
05	CO2010751	29/07/09	OW



NOTES!

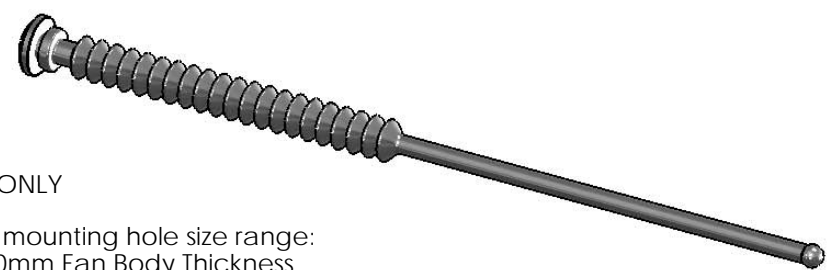
ALTERNATE UNITS FOR REFERENCE ONLY

Fits Industry Standard DC Fans with mounting hole size range:

- 3.2mm to 3.5mm dia up to 10mm Fan Body Thickness
- 4.0mm to 4.5mm dia from 10mm to 51mm Fan Body Thickness

Chassis Mounting Hole Range:

- Diameter 4.5mm to 4.8mm
- Thickness 1mm to 1.5mm



<p>INFORMATION CONTAINED IN THIS DOCUMENT IS CONFIDENTIAL TO RICHCO INTERNATIONAL Co. Ltd. AND MAY NOT BE DISCLOSED OR REPRODUCED IN WHOLE OR PART WITHOUT THEIR WRITTEN CONSENT.</p>					
<p>RICHCO, INC. WWW.RICHCO-INC.COM</p>			<p>ALL DIMENSIONS IN mm & [inches] GENERAL TOLERANCES ±0.25 [0.01] UNLESS OTHERWISE STATED 1 DECIMAL PLACE ±0.25 [0.01] 2 DECIMAL PLACES ± 0.10 [0.004] ANGULAR ±1°</p>		<p>THIRD ANGLE</p>
<p>MATERIAL: Silicone Rubber 40 Shore 'A' (RMS-316)</p>			<p>COLOR: Black</p>		
<p>DESCRIPTION: Multi-Fan Mount</p>			<p>PART No: FMM-1</p>		
<p>DRG No: 06-076</p>		<p>NPR No: 2005-474</p>		<p>WEIGHT (g): 2.8</p>	<p>SHEET SIZE A4</p>
<p>DRN TC</p>	<p>DATE 27/1/06</p>	<p>CHKD TC</p>	<p>DATE 04/07/06</p>	<p>SCALE NTS</p>	<p>SHEET No. 1 OF 1</p>